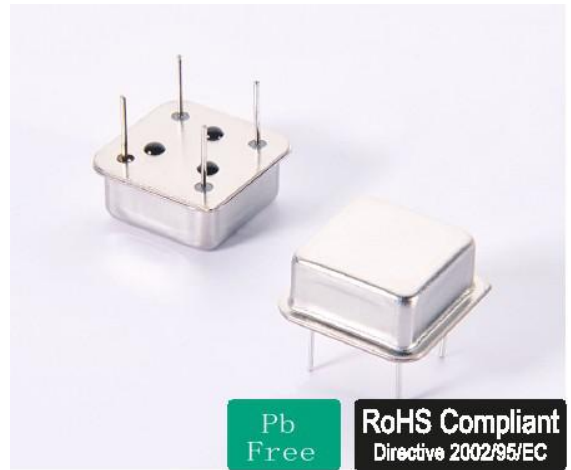


● Feature 特性

- ◆ 高频率、高可靠性 High frequency, Reliability
- ◆ 低功耗 Low power
- ◆ 三态输出 Tri-state Function
- ◆ 频率范围宽 Wide frequency range
- ◆ TTL/HCMOS兼容 TTL/HCMOS compatible

● Electrical specifications 电气参数

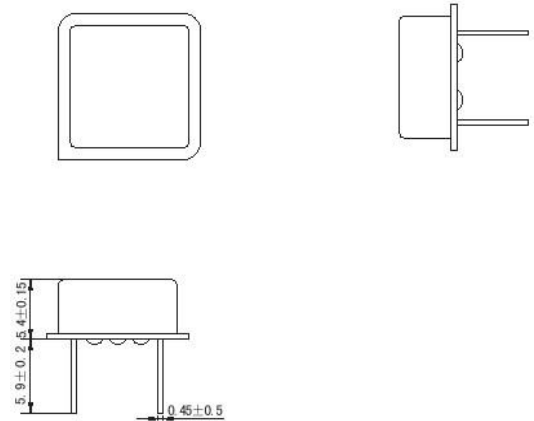
型号	Holder Type	OSC HALF SIZE
频率范围	Frequency Range	1.000MHz~100.000MHz
频率偏差	Frequency Toleranc (ΔF) at25°C	±20ppm~±30ppm
输入电压	Supply Voltage	3.3V~5.0V ±10%
工作温度范围	Operating Temperature Range	-20°C~+70°C to -40°C~+85°C
储存温度范围	Storage Temperature Range	-20°C~+60°C to -55°C~+125°C
占空比	Symmetry	40/60 Standald
输出	Output Load 5.0V	10 TTL or 15pF HCMOS
	Output Load 2.0V	10 TTL or 15pF HCMOS
消耗电流	Current Consumption 5.0V	1-36MHz=25mA Max
		36-70MHz=60mA Max
		70-125MHz=80mA Max
	Current Consumption 2.0V	1-36MHz=20mA Max
		36-70MHz=40mA Max
		70-125MHz=60mA Max
上升/下降时间	Rise/fall Time	10nS Max



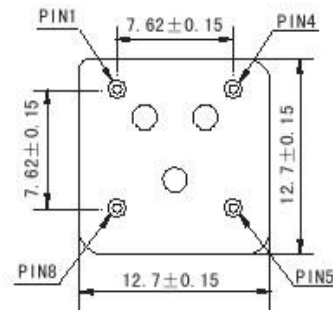
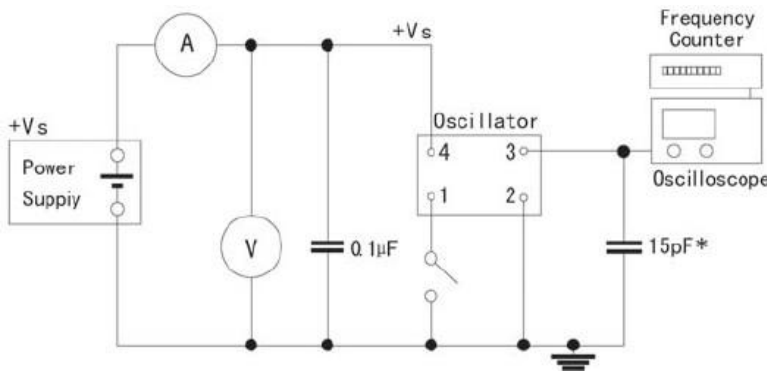
Pb Free RoHS Compliant Directive 2002/95/EC

● Mechanical Dimensions 外型尺寸

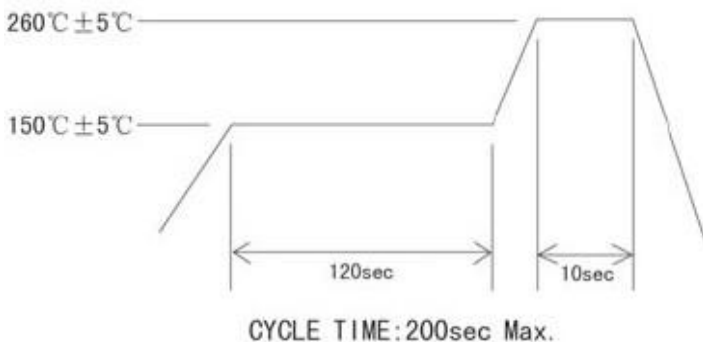
UNIT (单位): mm (毫米)



● Test Circuit 测试电路



● Reflow condition 回流焊条件



PIN	FUNCTION
1	N/C or Tri-state
2	Ground
3	Output
4	V _{dd}